



AstroScope™ Night Vision

Night Vision for Law Enforcement Professionals



Convert your digital camera or camcorder into a high-performance night vision system

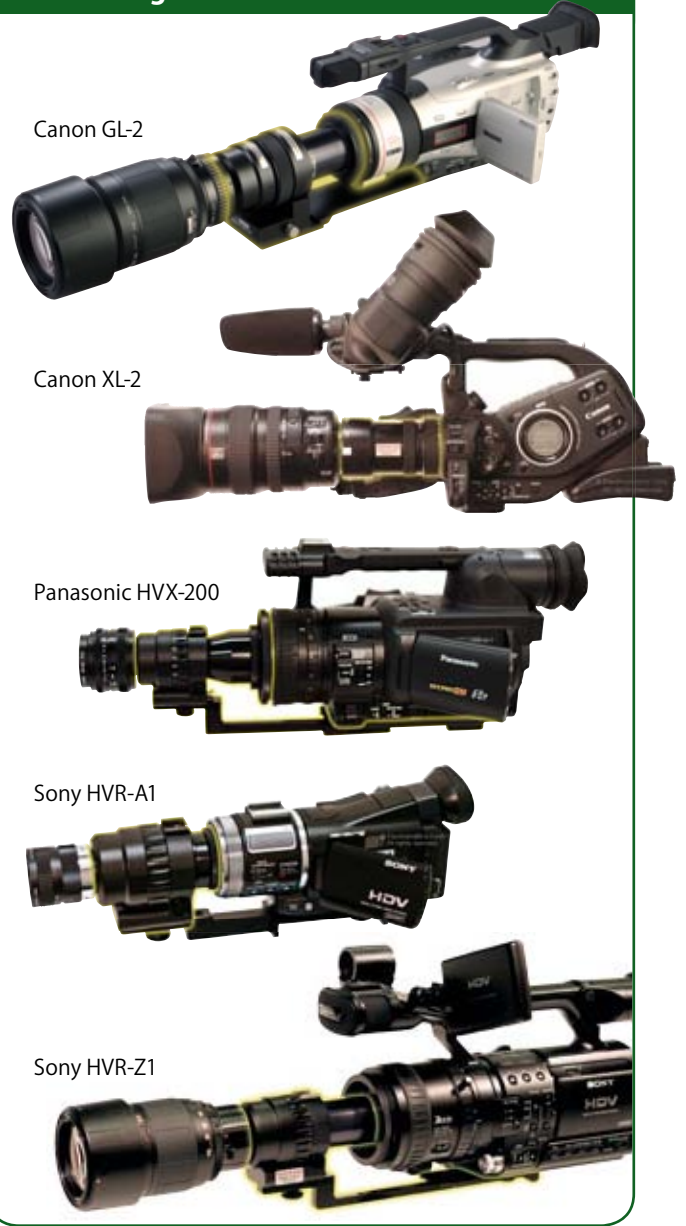
Intensify your camcorder or digital camera with AstroScope Night Vision and transform dark low-light scenes otherwise too dark to record into bright, high-resolution images. The AstroScope night vision system is available for use on a variety of common professional and prosumer camera platforms such as Canon® and Nikon® digital SLR cameras, many Canon®, Sony® and Panasonic® camcorders including HD models as well as C-mount security cameras. The AstroScope can also be used as a handheld pocketscope for quick night-time viewing.

The AstroScope assembly is ideal for law enforcement surveillance, television and feature film production and electronics news gathering (ENG). At the heart of the AstroScope system is a professional grade Gen III Central Intensifier Unit (CIU) that produces bright green images that can be recorded by the attached host digital platform. An invisible infrared laser illuminator is also available as an accessory for capturing scenes in no light.

When you need to get the best image in the dark, AstroScope delivers!

Features	Benefits
Professional-Grade Accessory	Designed for use in field environments, the AstroScope system is rugged, compact and versatile.
Improved Low-light Performance by 8 to 10 F-stops!	Capture bright, tack-sharp, edge-to-edge image detail. The AstroScope system is the highest performance design available for night vision photography.
User-Friendly Design	No special setup, calibration or operator training required. Simple, field-expedient configuration and operation.

Night Vision for Camcorders



Canon GL-2

Canon XL-2

Panasonic HVX-200

Sony HVR-A1

Sony HVR-Z1

Other Camcorder configurations also available.

Night Vision for Digital SLR Cameras



Nikon DSLR

Canon EOS DSLR

Night Vision for C-Mount Cameras



Also converts to a pocketscope for handy night-time viewing!

AstroScope™ Night Vision

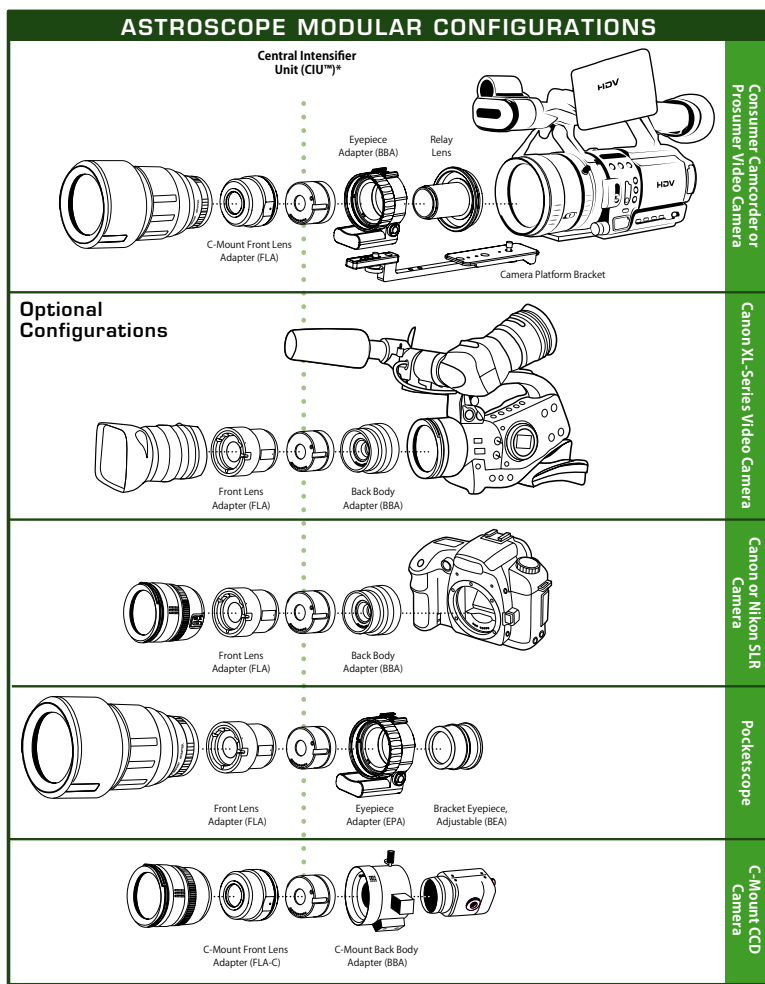
Night Vision for Law Enforcement Professionals

A design that delivers optimum performance in every configuration.

Unlike pocketscope-based night vision setups, AstroScope is specifically designed for image capture applications. Only AstroScope enables you to use high-performance lenses to shoot full-frame images at distances beyond 1000 meters!

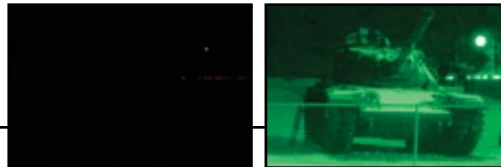
Performance achievements with AstroScope

- ◆ Use high-performance objective lenses
- ◆ Installs in less than 30 seconds
- ◆ No vignetting on most platforms



Without AstroScope

With AstroScope



Experience the difference.

See 8 to 10 F-stops more light!

BOTH SHOTS WERE TAKEN USING THE SAME CAMERA SETTINGS.

Ordering Information

ITEM	DESCRIPTION
9350-A1U-3LPRO Part #: 914842	AstroScope Night Vision Adapter Kit for Sony® HVR-A1U/E High-Definition Camcorder. Includes Base Bracket, Night Vision Module, 40° FOV (1X) F1.2 High-Speed Objective Lens and two AAA batteries.
9350-GL2-3LPRO Part #: 914841	AstroScope Night Vision Adapter Kit for Canon® GL2 Camcorder. Includes Base Bracket, Night Vision Module, 40° FOV (1X) F1.2 High-Speed Objective Lens and two AAA batteries.
9350-HVX-3LPRO Part #: 914840	AstroScope Night Vision Adapter Kit for Panasonic AG-HVX200 High-Definition Camcorder. Includes Base Bracket, Night Vision Module, 40° FOV (1X) F1.2 High-Speed Objective Lens and two AAA batteries.
9350-PD2-3LPRO Part #: 914843	AstroScope Night Vision Adapter Kit for Sony® DSR-PD150/PD170/VX2100 Camcorders. Includes Base Bracket, Night Vision Module, 40° FOV (1X) F1.2 High-Speed Objective Lens and two AAA batteries.
9350-XHG1-3LPRO Part #: 914844	AstroScope Night Vision Adapter Kit for Canon® XHG1 High-Definition Camcorder. Includes Base Bracket, Night Vision Module, 40° FOV (1X) F1.2 High-Speed Objective Lens and two AAA batteries.
9350-Z1U-3LPRO Part #: 914839	AstroScope Night Vision Adapter Kit for Sony® HVR-Z1U/E and HDR-FX1 High-Definition Camcorders. Includes Base Bracket, Night Vision Module, 40° FOV (1X) F1.2 High-Speed Objective Lens and two AAA batteries.
9350-C-3PRO Part #: 914739	AstroScope Night Vision Adapter Kit for C-mount Cameras. Includes Night Vision Module, C-mount lens adapter. Requires objective lens and 3-14 VDC.
9350-EOS-3PRO Part #: 914656	AstroScope Night Vision Module for all Canon® Digital SLR Cameras. Accepts Canon EF and EFS objective lenses.
9350-NIK3PRO Part #: 914658	AstroScope Night Vision Module for all Nikon® Digital SLR Cameras. Accepts Nikon F-type objective lenses.
9350-XL-3PRO Part #: 914657	AstroScope Night Vision Module for Canon® XL-type removable lens Camcorders including XL-1, XL-2 and HD-1. Accepts Canon XL-mount objective lenses.
ACCESSORIES	
9900 Laser Illuminator Part #: 910010	Illuminates areas with near-infrared light invisible to the naked eye for those circumstances that have "no light".
Scope Adapter Part #: 903003	Converts above night vision modules to pocketscope for handy night-time viewing.
C-mount Lens Adapter Part #: 914157	Adapter enabling the use of C-mount lenses. For 3LPRO versions.
C-mount Lenses	A variety of wide-angle, telephoto and zoom lenses are available.

Please call us to discuss the wide variety of AstroScope components available to meet your specific requirements (including support for camcorders not listed here).



373 Route 46, Fairfield, NJ 07004 973-882-0211 Fax: 973-882-0997
 info@electrophysics.com www.nightvisioncameras.com