

## P/N: 75010-0101

### Copyright

© 2016, FLIR Systems, Inc.

All rights reserved worldwide. Names and marks appearing herein are either registered trademarks or trademarks of FLIR Systems and/or its subsidiaries. All other trademarks, trade names or company names referenced herein are used for identification only and are the property of their respective owners.

### Document identity

Publ. No.: 75010-0101

Release:

Commit: 36998

Language: en-US

Modified: 2016-08-24

Formatted: 2016-08-24

### Website

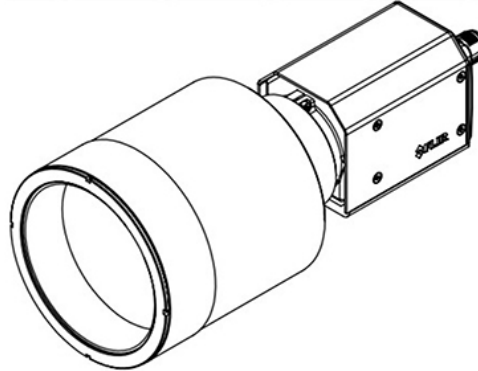
<http://www.flir.com>

### Customer support

<http://support.flir.com>

### Disclaimer

Specifications subject to change without further notice. Camera models and accessories subject to regional market considerations. License procedures may apply. Products described herein may be subject to US Export Regulations. Please refer to [exportquestions@flir.com](mailto:exportquestions@flir.com) with any questions.



General description	
<p>The FLIR A65 has features and functions that make it the natural choice for anyone who uses PC software to solve problems and for whom 640 × 512 pixel resolution is sufficient.</p> <p>Among its main features are GigE Vision and GenICam compliance, which makes it plug-and-play when used with software packages such as IMAQ Vision and Halcon.</p>	
<p>Key features:</p> <ul style="list-style-type: none"> <li>• Very affordable.</li> <li>• Compact</li> <li>• GigE Vision and GenICam compliant.</li> <li>• GigE Vision lockable connector.</li> <li>• PoE (power over Ethernet).</li> <li>• 8-bit 640 × 512 pixel images streamed at 30 Hz, signal linear</li> <li>• 14-bit 640 × 512 pixel images streamed at 30 Hz, signal and temperature linear</li> <li>• Synchronization between cameras possible.</li> <li>• 1x+1x GPIO.</li> <li>• Compliant with any software that supports GenICam, including National Instruments IMAQ Vision, Stemmers Common Vision Blox, and COGNEX Vision Pro.</li> </ul>	
<p>Typical applications:</p> <ul style="list-style-type: none"> <li>• Automation and thermal machine vision.</li> <li>• Entry level "high-speed" R&amp;D.</li> </ul>	

Imaging and optical data	
IR resolution	640 × 512 pixels
Thermal sensitivity/NETD	< 0.05°C @ +30°C (+86°F) / 50 mK
Field of view (FOV)	6.2° × 4.96°
Focal length	100 mm (4 in.)
Spatial resolution (IFOV)	0.170 mrad
F-number	1.6
Image frequency	30 Hz
Focus	Fixed

P/N: 75010-0101

© 2016, FLIR Systems, Inc.


#75010-0101; r. /36998; en-US

<b>Detector data</b>	
Detector type	Focal plane array (FPA), uncooled VOX microbolometer
Spectral range	7.5–13 $\mu\text{m}$
Detector pitch	17 $\mu\text{m}$
Detector time constant	Typical 12 ms
<b>Measurement</b>	
Object temperature range	<ul style="list-style-type: none"> <li>–25 to +135°C (–13 to 275°F)</li> <li>–40 to +550°C (–40 to +1022°F)</li> </ul>
Accuracy	$\pm 5^\circ\text{C}$ ( $\pm 9^\circ\text{F}$ ) or $\pm 5\%$ of reading
<b>Measurement analysis</b>	
Atmospheric transmission correction	Automatic, based on inputs for distance, atmospheric temperature and relative humidity
Optics transmission correction	Automatic, based on signals from internal sensors
Emissivity correction	Variable from 0.5 to 1.0
Reflected apparent temperature correction	Automatic, based on input of reflected temperature
External optics/windows correction	Automatic, based on input of optics/window transmission and temperature
Measurement corrections	Global object parameters
<b>Ethernet</b>	
Ethernet	Control and image
Ethernet, type	Gigabit Ethernet
Ethernet, standard	IEEE 802.3
Ethernet, connector type	RJ-45
Ethernet, communication	GigE Vision ver. 1.2 Client API GenICam compliant
Ethernet, image streaming	8-bit monochrome @ 30 Hz <ul style="list-style-type: none"> <li>Signal linear/ DDE</li> <li>Automatic/ Manual</li> <li>Flip H&amp;V</li> </ul> 14-bit 640 x 512 pixels @ 30 Hz <ul style="list-style-type: none"> <li>Signal linear/ DDE</li> <li>Temperature linear</li> </ul> GigE Vision and GenICam compatible
Ethernet, power	Power over Ethernet, PoE IEEE 802.3af class 0 Power
Ethernet, protocols	TCP, UDP, ICMP, IGMP, DHCP, GigEVision
<b>Digital input/output</b>	
Digital input, purpose	General purpose
Digital input	1x opto-isolated, "0" <1.2 VDC, "1" = 2–25 VDC.
Digital output, purpose	General purpose output to ext. device (programmatically set)

P/N: 75010-0101

© 2016, FLIR Systems, Inc.

#75010-0101; r. /36998; en-US

<b>Digital input/output</b>	
Digital output	1× opto-isolated, 2–40 VDC, max. 185 mA
Digital I/O, isolation voltage	500 VRMS
Digital I/O, supply voltage	2–40 VDC, max. 200 mA
Digital I/O, connector type	12-pole M12 connector (shared with Digital synchronization and External power)
Synchronization in, purpose	Frame synchronization in to control camera
Synchronization in	1×, non-isolated
Synchronization in, type	LVC Buffer @3.3V, "0" <0.8 V, "1">2.0 V.
Synchronization out, purpose	Frame synchronization out to control another FLIR Ax5 camera
Synchronization out	1×, non-isolated
Synchronization out, type	LVC Buffer @ 3.3V, "0"=24 MA max, "1"= -24 mA max.
Digital synchronization, connector type	12-pole M12 connector (shared with Digital I/O and External power)
<b>Power system</b>	
External power operation	12/24 VDC, < 3.5 W nominal < 6.0 W absolute max.
External power, connector type	12-pole M12 connector (shared with Digital I/O and Digital Synchronization )
Voltage	Allowed range 10–30 VDC
<b>Environmental data</b>	
Operating temperature range	-15°C to +60°C (+5°F to +140°F)
	<div style="border: 1px solid black; padding: 5px;"> <p> <b>NOTE</b></p> <p>The operating temperature range assumes that the camera is mounted on the base support (included in the package) or a similar type of heatsink.</p> </div>
Storage temperature range	-40°C to +70°C (-40°F to +158°F)
Humidity (operating and storage)	IEC 60068-2-30/24 h 95% relative humidity +25° C to +40°C (+77°F to +104°F)
EMC	<ul style="list-style-type: none"> <li>• EN 61000-6-2 (Immunity)</li> <li>• EN 61000-6-3 (Emission)</li> <li>• FCC 47 CFR Part 15 Class B (Emission)</li> </ul>
Encapsulation	IP 40 (IEC 60529) with base support mounted
Shock	25 g (IEC 60068-2-27)
Vibration	2 g (IEC60068-2-6) and MIL-STD810G
<b>Physical data</b>	
Camera size (L × W × H)	196.4 × 82.0 × 82.0 mm (7.7 × 3.2 × 3.2 in.)
Tripod mounting	UNC ¼"-20 (on three sides)
Base mounting	4 × M3 thread mounting holes (bottom)
Housing material	Magnesium and aluminum



## FLIR A65 FOV 6.2 (30 Hz, ver. 2016)

P/N: 75010-0101

© 2016, FLIR Systems, Inc.

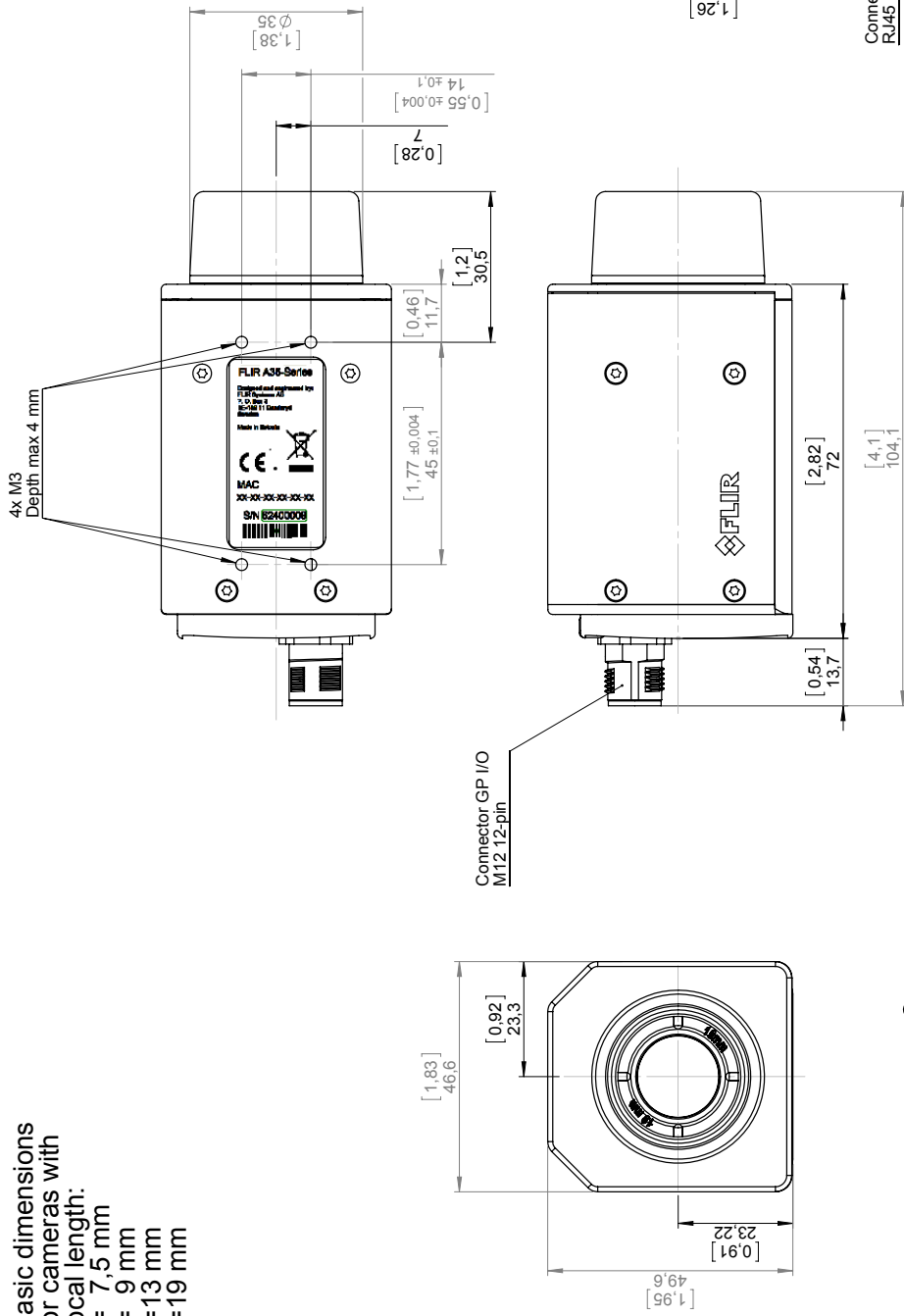
#75010-0101; r. /36998; en-US

Shipping information	
Packaging, type	Cardboard box
List of contents	<ul style="list-style-type: none"><li>• Infrared camera with lens</li><li>• Base support</li><li>• Printed documentation</li></ul>
EAN-13	7332558012321
UPC-12	845188013431
Country of origin	Sweden

### Supplies & accessories:

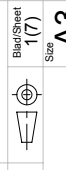
- T951004ACC; Ethernet cable CAT6, 2 m/6.6 ft.
- T198349; Base support
- T198348; Cable kit Mains (UK,EU,US)
- T198392; Table stand kit
- T911183; Gigabit PoE injector 16 W, with multi-plugs
- T127605ACC; Cable M12 Pigtail
- T127606ACC; Cable M12 Sync
- T198594ACC; Transport case Ax5
- T199356; FLIR Ax5 accessory starter kit
- T198584; FLIR Tools
- T198583; FLIR Tools+ (download card incl. license key)
- DSW-10000; FLIR IR Camera Player
- T199233; FLIR Atlas SDK for .NET
- T199234; FLIR Atlas SDK for MATLAB

Basic dimensions  
for cameras with  
focal length:  
f= 7,5 mm  
f= 9 mm  
f=13 mm  
f=19 mm

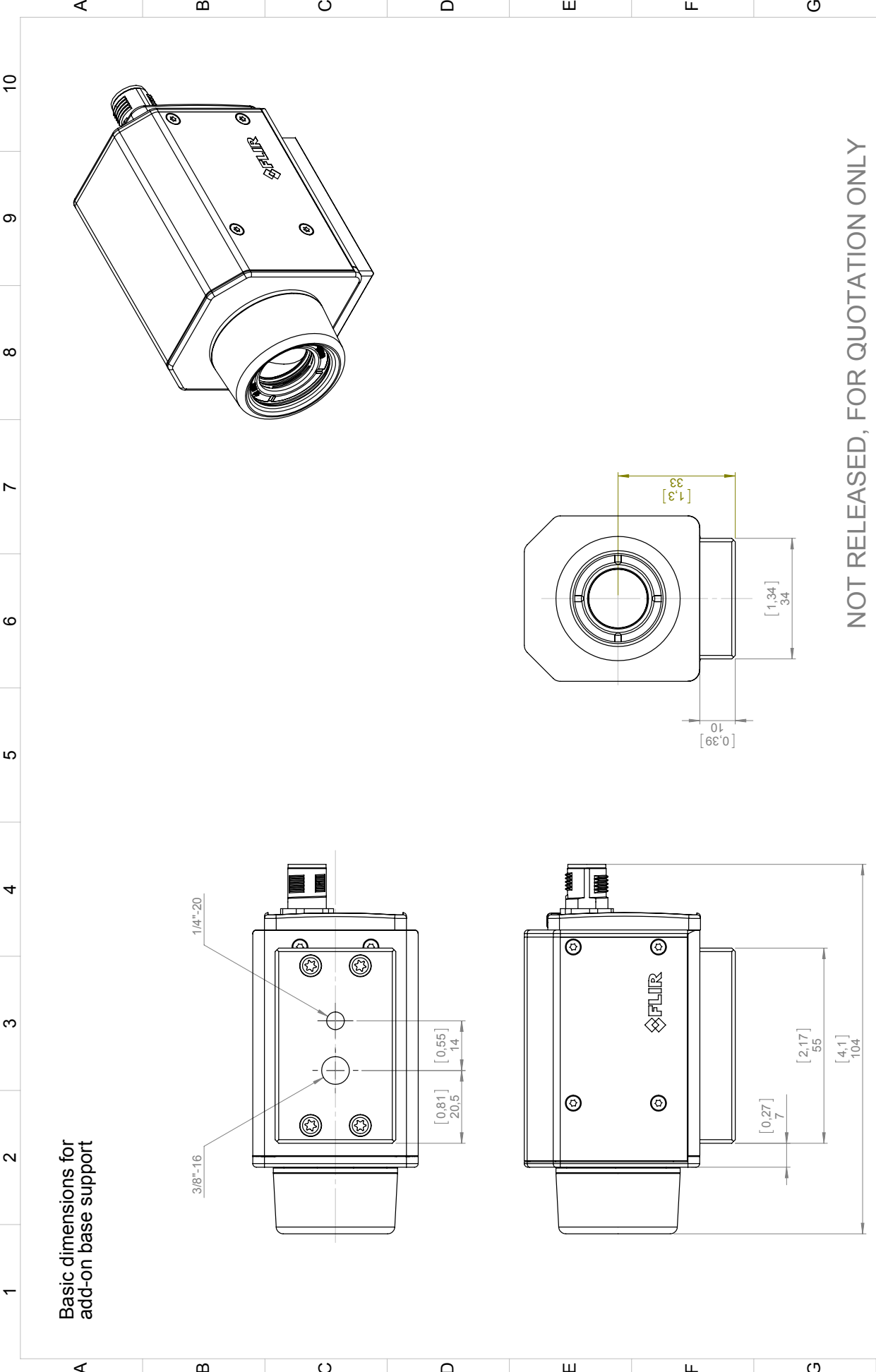


NOT RELEASED, FOR QUOTATION ONLY

Konstr/Drawing	P. MARCUS	Kontroll/Check	Materiell	
Datum/Date	2015-12-14	Ytämne/Modified	Ytbehandling/Surface treatment	
Ändrad av/Modified by	P. MARCUS	Ra	µm	
Benämning/Denomination				
Basic dimensions Ax5 w. flag shutter f=7,5 mm to f=100 mm				
Dir: ej ämnet ändras/Unless otherwise stated		Gen: to ISO 2768-mK		
Utmått ut/except from ISO 2768-m		0,5-6		
		±0,1		
		Hållsläddrad		
		±0,2		
		Fillet radi		
		300-320		
		±0,5		
		Kantströmma		
		(120)-400		
		±0,5		
		Kantströmma		
		(400)-1000		
		±0,8		
		Edges broken		



Sheet/Sheet Size: 1(7)  
Scale: 1:1  
ArtNo.: T129297  
Rev: -002

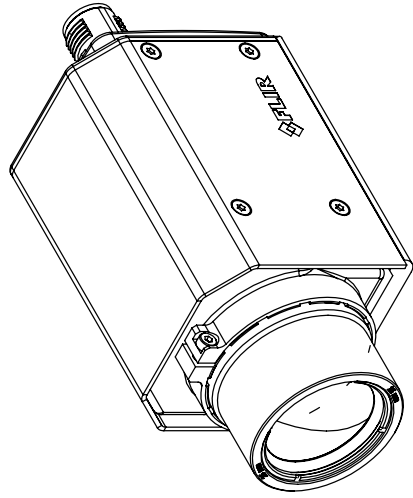
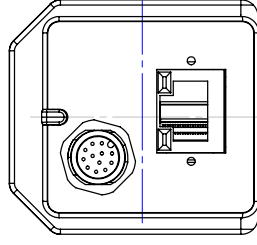
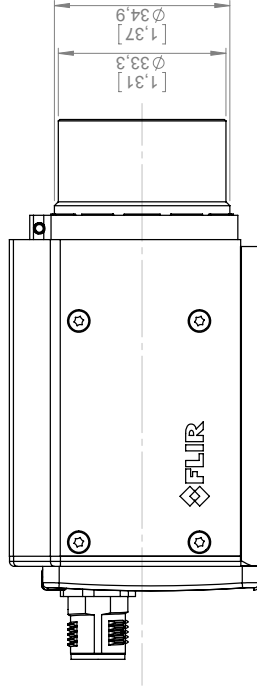
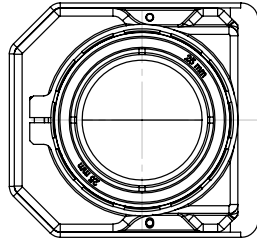
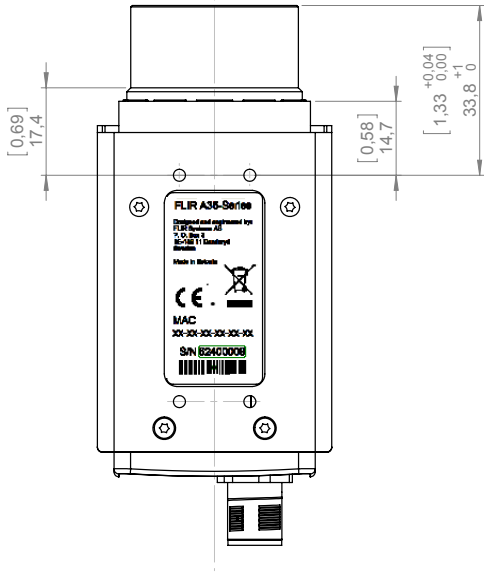


Basic dimensions for  
add-on base support

NOT RELEASED, FOR QUOTATION ONLY

Konstr/Drawing	Datum/Date	Kontroll/Check	Material
P. MARCUS	2015-12-14	-	-
Ändrad av/Modified by	Ändrad/Modified	Ytfinish/Roughness	Ybehandling/Surface treatment
P. MARCUS	2015-12-18	Ra	µm
Benämning/Denomination			
Bas för ISO 2768-mK Urtag ur/Exempt from ISO 2768-m 0,5 30 40,1 Hållfärdig 0,5 30 40,1 FLIR cert. 0,5 30 40,1 Kanten brutna 0,5 30 40,1 Edges broken			
Scale/Scale 1:1 AINo.			
Basic dimensions Ax5 w. flag shutter f=7,5 mm to f=100 mm			
Rtn m/Drawing No T129297			

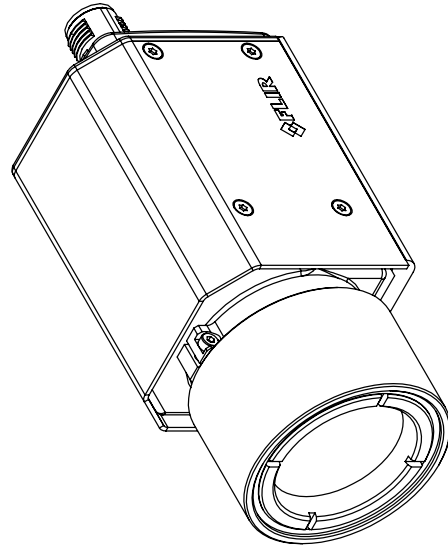
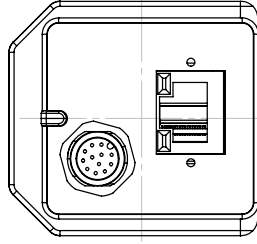
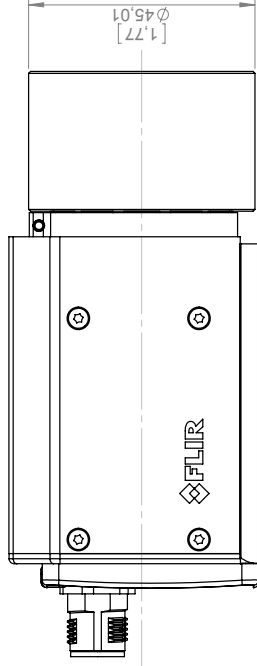
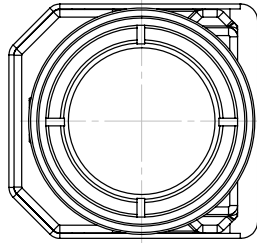
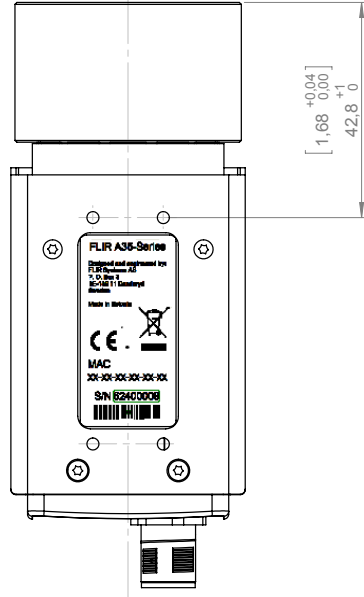
Basic dimensions:  
 Camera with focal length  
 f=25 mm IR lens.  
 Only dimensions valid for  
 this IR lens.  
 For all other dimensions see pages  
 1 and 2.



NOT RELEASED, FOR QUOTATION ONLY

Konstr/Drawing	P. MARCUS		Datum/Date	2015-12-14	Kontroll/Check	-	Material	-
Ändrad av/Modified by	P. MARCUS		Ändrad/Modified	2015-12-18	Ytjämnhet/Roughness	Ra	Y-behandling/Surface treatment	-
Dir. ej annat angavs/Unless otherwise stated	Gen. tol. ISO 2768-mK		Benämning/Denomination	Basic dimensions Ax5 w. flag shutter f=7,5 mm to f=100 mm				
UTSÄG ur/Exempt from ISO 2768-m	0,50							
0,50	40,1							
(30)-120	40,3							
(120)-400	40,5							
(400)-1600	40,6							
	40,8							
	40,9							
	41,0							
	41,1							
	41,2							
	41,3							
	41,4							
	41,5							
	41,6							
	41,7							
	41,8							
	41,9							
	42,0							
	42,1							
	42,2							
	42,3							
	42,4							
	42,5							
	42,6							
	42,7							
	42,8							
	42,9							
	43,0							
	43,1							
	43,2							
	43,3							
	43,4							
	43,5							
	43,6							
	43,7							
	43,8							
	43,9							
	44,0							
	44,1							
	44,2							
	44,3							
	44,4							
	44,5							
	44,6							
	44,7							
	44,8							
	44,9							
	45,0							
	45,1							
	45,2							
	45,3							
	45,4							
	45,5							
	45,6							
	45,7							
	45,8							
	45,9							
	46,0							
	46,1							
	46,2							
	46,3							
	46,4							
	46,5							
	46,6							
	46,7							
	46,8							
	46,9							
	47,0							
	47,1							
	47,2							
	47,3							
	47,4							
	47,5							
	47,6							
	47,7							
	47,8							
	47,9							
	48,0							
	48,1							
	48,2							
	48,3							
	48,4							
	48,5							
	48,6							
	48,7							
	48,8							
	48,9							
	49,0							
	49,1							
	49,2							
	49,3							
	49,4							
	49,5							
	49,6							
	49,7							
	49,8							
	49,9							
	50,0							
	50,1							
	50,2							
	50,3							
	50,4							
	50,5							
	50,6							
	50,7							
	50,8							
	50,9							
	51,0							
	51,1							
	51,2							
	51,3							
	51,4							
	51,5							
	51,6							
	51,7							
	51,8							
	51,9							
	52,0							
	52,1							
	52,2							
	52,3							
	52,4							
	52,5							
	52,6							
	52,7							
	52,8							
	52,9							
	53,0							
	53,1							
	53,2							
	53,3							
	53,4							
	53,5							
	53,6							
	53,7							
	53,8							
	53,9							
	54,0							
	54,1							
	54,2							
	54,3							
	54,4							
	54,5							
	54,6							
	54,7							
	54,8							
	54,9							
	55,0							
	55,1							
	55,2							
	55,3							
	55,4							
	55,5							
	55,6							
	55,7							
	55,8							
	55,9							
	56,0							
	56,1							
	56,2							
	56,3							
	56,4							
	56,5							
	56,6							
	56,7							
	56,8							
	56,9							
	57,0							
	57,1							
	57,2							
	57,3							
	57,4							
	57,5							
	57,6							
	57,7							
	57,8							
	57,9							
	58,0							
	58,1							
	58,2							
	58,3							
	58,4							
	58,5							
	58,6							
	58,7							
	58,8							
	58,9							
	59,0							
	59,1							
	59,2							
	59,3							
	59,4							
	59,5							
	59,6							
	59,7							
	59,8							
	59,9							
	60,0							
	60,1							
	60,2							
	60,3							
	60,4							
	60,5							
	60,6							
	60,7							
	60,8							
	60,9							
	61,0							
	61,1							
	61,2							
	61,3							
	61,4							
	61,5							
	61,6							
	61,7							
	61,8							
	61,9							
	62,0							
	62,1							
	62,2							
	62,3							
	62,4							
	62,5							
	62,6							
	62,7							
	62,8							
	62,9							
	63,0							
	63,1							
	63,2							
	63,3							
	63,4							
	63,5							
	63,6							
	63,7							
	63,8							
	63,9							
	64,0							
	64,1							
	64,2							
	64,3							
	64,4							
	64,5							
	64,6							
	64,7							
	64,8							
	64,9							
	65,0							
	65,1							
	65,2							
	65,3							
	65,4							
	65,5							
	65,6							
	65,7							
	65,8							
	65,9							
	66,0							
	66,1							
	66,2							
	66,3							
	66,4							
	66,5							
	66,6							
	66,7							
	66,8							
	66,9							
	67,0							
	67,1							
	67,2							
	67,3							
	67,4							
	67,5							
	67,6							
	67,7							
	67,8							
	67,9							
	68,0							
	68,1							
	68,2							
	68,3							
	68,4							
	68,5							
	68,6							
	68,7							
	68,8							
	68,9							
	69,0							
	69,1							
	69,2							
	69,3							
	69,4							
	69,5							
	69,6							
	69,7							
	69,8							
	69,9							
	70,0							
	70,1							
	70,2							
	70,3							
	70,4							
	70,5							
	70,6							
	70,7							
	70,8							
	70,9							
	71,0							
	71,1							
	71,2							
	71,3							
	71,4							
	71,5							
	71,6							
	71,7							
	71,8							
	71,9							
	72,0							
	72,1							
	72,2							
	72,3							
	72,4							
	72,5							
	72,6							
	72,7							
	72,8							
	72,9							
	73,0							
	73,1							
	73,2							
	73,3							
	73,4							
	73,5							
	73,6							
	73,7							
	73,8							
	73,9							
	74,0							
	74,1							
	74,2							
	74,3							
	74,4							
	74,5							
	74,6							
	74,7							
	74,8							
	74,9							
	75,0							
	75,1							

Basic dimensions:  
 Camera with focal length  
 f=35 mm IR lens.  
 Only dimensions valid for  
 this IR lens.  
 For all other dimensions see pages  
 1 and 2.



NOT RELEASED, FOR QUOTATION ONLY

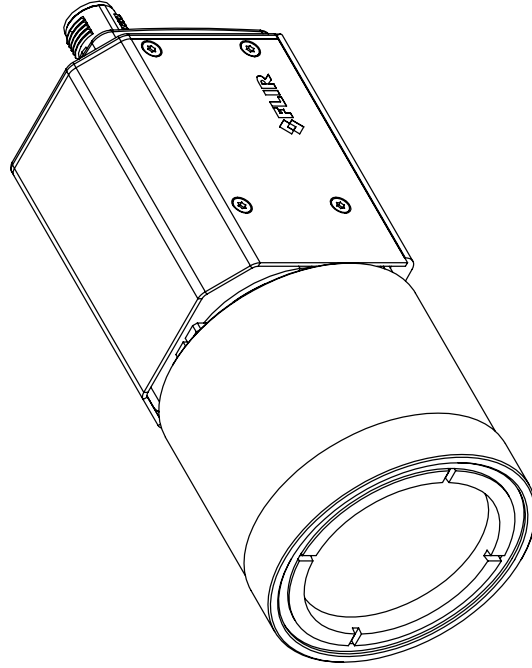
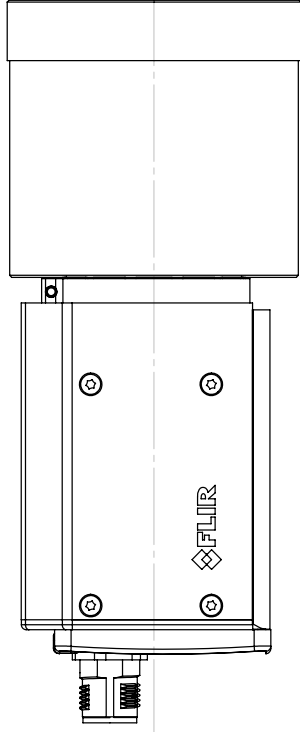
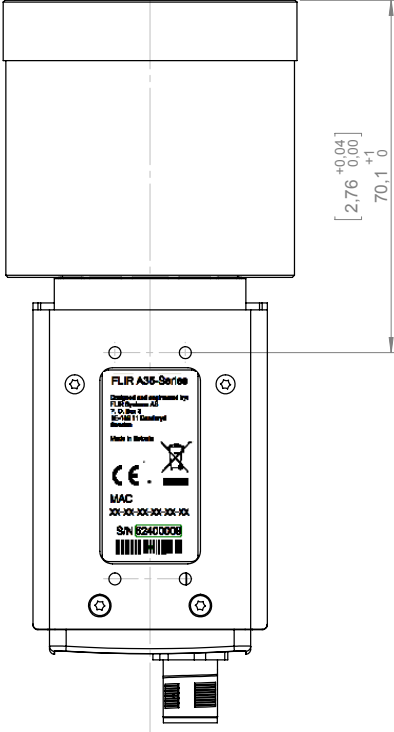
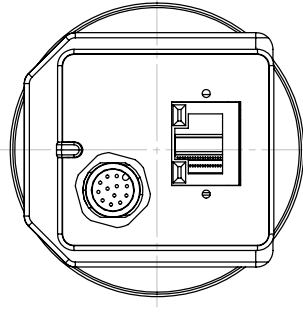
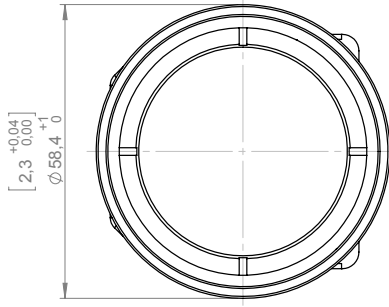
Konstruktör/Drawn	P. MARCUS	Datum/Date	2015-12-14	Kontroll/Check	Material	-
Ändrad av/Modified by	P. MARCUS	Ändrad/Modified	2015-12-18	Ytjämnhet/Roughness	YBehandling/Surface treatment	
				Ra	µm	
				Benämning/Denomination		
Ditt ej annat angavs/Unless otherwise stated Genför ISO 2768-mK Utmått ur/Exempt from ISO 2768-m 0.5-1 Hålltolerans (30)-120 ±0.3 (120)-400 ±0.5 (400)-1600 ±0.8 Edges broken						
Skala/Scale 1:1 Aritm.						
Blad/Sheet Size 4(7)						
Basic dimensions Ax5 w. flag shutter f=7,5 mm to f=100 mm						
Ritm nr/Drawing No T129297						
Rev -002						



Rev  
 -002



Basic dimensions:  
 Camera with focal length  
 f=50 mm IR lens.  
 Only dimensions valid for  
 this IR lens.  
 For all other dimensions see pages  
 1 and 2.



NOT RELEASED, FOR QUOTATION ONLY

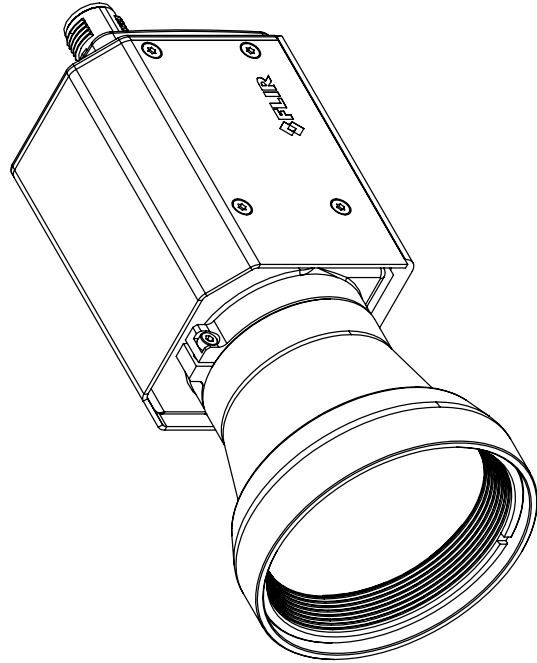
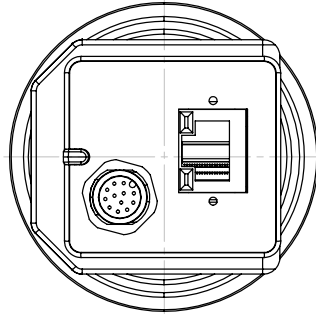
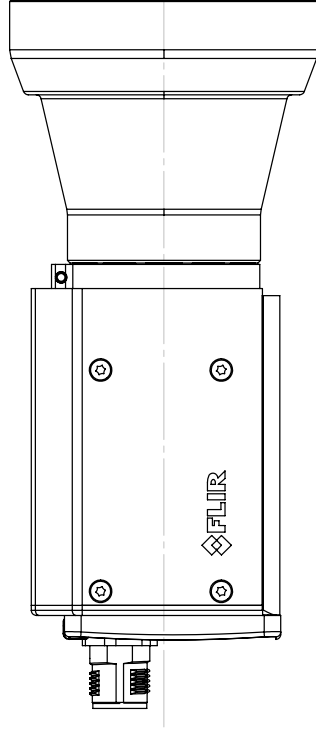
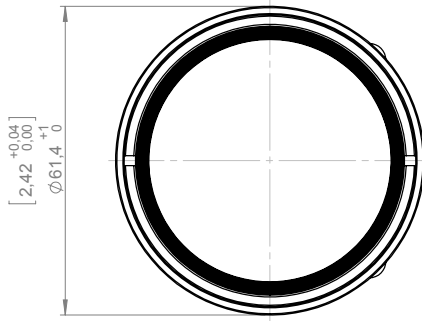
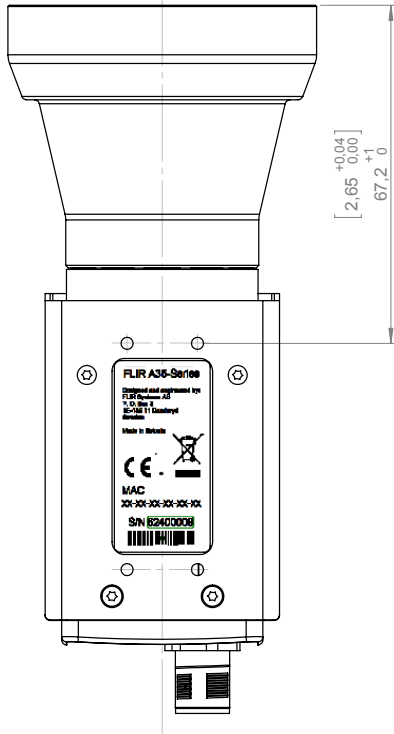
Konstr/Drawn	P. MARCUS		Datum/Date	2015-12-14	Kontroll/Check	-		Material	
Ändrad av/Modified by	P. MARCUS		Ändrad/Modified	2015-12-18	Ytjämnhet/Roughness	µm	Ybehandling/Surface treatment		
Dir. ej annat angavs/Unless otherwise stated	Gen. tol. ISO 2768-mK		Benämning/Denomination		Skala/Scale	1:1	Bladd/Sheet	5(7)	Bladd/Sheet Size
UTdrag ur/Excerpt from ISO 2768-m	0,50 0,63 (30)-120 (120)-400 (400)-1600				Artno.				A3
	40,1 Hållfärdighet 40,3 FLIR-cert. 40,5 Kontur brutna 40,6 Edges broken								Rev
									T129297
									-002

Basic dimensions Ax5 w. flag shutter  
 f=7,5 mm to f=100 mm



Rev  
 T129297  
 -002

Basic dimensions:  
 Camera with focal length  
 f=60 mm IR lens.  
 Only dimensions valid for  
 this IR lens.  
 For all other dimensions see pages  
 1 and 2.



NOT RELEASED, FOR QUOTATION ONLY

Konstr/Drawn	P. MARCUS		Datum/Date	2015-12-14	Kontroll/Check	-	Material	-
Ändrad av/Modified by	P. MARCUS		Ändrad/Modified	2015-12-18	Ytjämnhet/Roughness	Ra	Ytbehandling/Surface treatment	
Dir. ej annat angavs/Unless otherwise stated	Gen. tol. ISO 2768-mK		Benämning/Denomination		µm			
Utmått ur/Exempt from ISO 2768-m	0,50	40,1						
	(30)-120	40,3						
	(120)-400	40,5						
	(400)-1600	40,6						
		40,8						
		40,9						
		41,0						
		41,1						
		41,2						
		41,3						
		41,4						
		41,5						
		41,6						
		41,7						
		41,8						
		41,9						
		42,0						
		42,1						
		42,2						
		42,3						
		42,4						
		42,5						
		42,6						
		42,7						
		42,8						
		42,9						
		43,0						
		43,1						
		43,2						
		43,3						
		43,4						
		43,5						
		43,6						
		43,7						
		43,8						
		43,9						
		44,0						
		44,1						
		44,2						
		44,3						
		44,4						
		44,5						
		44,6						
		44,7						
		44,8						
		44,9						
		45,0						
		45,1						
		45,2						
		45,3						
		45,4						
		45,5						
		45,6						
		45,7						
		45,8						
		45,9						
		46,0						
		46,1						
		46,2						
		46,3						
		46,4						
		46,5						
		46,6						
		46,7						
		46,8						
		46,9						
		47,0						
		47,1						
		47,2						
		47,3						
		47,4						
		47,5						
		47,6						
		47,7						
		47,8						
		47,9						
		48,0						
		48,1						
		48,2						
		48,3						
		48,4						
		48,5						
		48,6						
		48,7						
		48,8						
		48,9						
		49,0						
		49,1						
		49,2						
		49,3						
		49,4						
		49,5						
		49,6						
		49,7						
		49,8						
		49,9						
		50,0						
		50,1						
		50,2						
		50,3						
		50,4						
		50,5						
		50,6						
		50,7						
		50,8						
		50,9						
		51,0						
		51,1						
		51,2						
		51,3						
		51,4						
		51,5						
		51,6						
		51,7						
		51,8						
		51,9						
		52,0						
		52,1						
		52,2						
		52,3						
		52,4						
		52,5						
		52,6						
		52,7						
		52,8						
		52,9						
		53,0						
		53,1						
		53,2						
		53,3						
		53,4						
		53,5						
		53,6						
		53,7						
		53,8						
		53,9						
		54,0						
		54,1						
		54,2						
		54,3						
		54,4						
		54,5						
		54,6						
		54,7						
		54,8						
		54,9						
		55,0						
		55,1						
		55,2						
		55,3						
		55,4						
		55,5						
		55,6						
		55,7						
		55,8						
		55,9						
		56,0						
		56,1						
		56,2						
		56,3						
		56,4						
		56,5						
		56,6						
		56,7						
		56,8						
		56,9						
		57,0						
		57,1						
		57,2						
		57,3						
		57,4						
		57,5						
		57,6						
		57,7						
		57,8						
		57,9						
		58,0						
		58,1						
		58,2						
		58,3						
		58,4						
		58,5						
		58,6						
		58,7						
		58,8						
		58,9						
		59,0						
		59,1						
		59,2						
		59,3						
		59,4						
		59,5						
		59,6						
		59,7						
		59,8						
		59,9						
		60,0						
		60,1						
		60,2						
		60,3						
		60,4						
		60,5						
		60,6						
		60,7						
		60,8						
		60,9						
		61,0						
		61,1						
		61,2						
		61,3						
		61,4						
		61,5						
		61,6						
		61,7						
		61,8						
		61,9						
		62,0						
		62,1						
		62,2						
		62,3						
		62,4						
		62,5						
		62,6						
		62,7						
		62,8						
		62,9						
		63,0						
		63,1						
		63,2						
		63,3						
		63,4						
		63,5						
		63,6						
		63,7						
		63,8						
		63,9						
		64,0						
		64,1						
		64,2						
		64,3						
		64,4						
		64,5						
		64,6						
		64,7						
		64,8						
		64,9						
		65,0						
		65,1						
		65,2						
		65,3						
		65,4						
		65,5						
		65,6						
		65,7						
		65,8						
		65,9						
		66,0						
		66,1						
		66,2						
		66,3						
		66,4						
		66,5						
		66,6						
		66,7						
		66,8						
		66,9						
		67,0						
		67,1						
		67,2						
		67,3						
		67,4						
		67,5						
		67,6						
		67,7						
		67,8						
		67,9						
		68,0						
		68,1						
		68,2						
		68,3						
		68,4						
		68,5						
		68,6						
		68,7						
		68,8						
		68,9						
		69,0						
		69,1						
		69,2						
		69,3						
		69,4						
		69,5						
		69,6						
		69,7						
		69,8						
		69,9						
		70,0						
		70,1						
		70,2						
		70,3						
		70,4						
		70,5						
		70,6						
		70,7						
		70,8						
		70,9						
		71,0						
		71,1						
		71,2						
		71,3						
		71,4						
		71,5						
		71,6						
		71,7						
		71,8						
		71,9						
		72,0						
		72,1						
		72,2						
		72,3						
		72,4						
		72,5						
		72,6						
		72,7						
		72,8						
		72,9						
		73,0						
		73,1						
		73,2						
		73,3						



